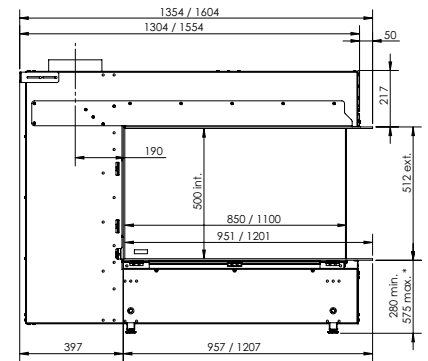
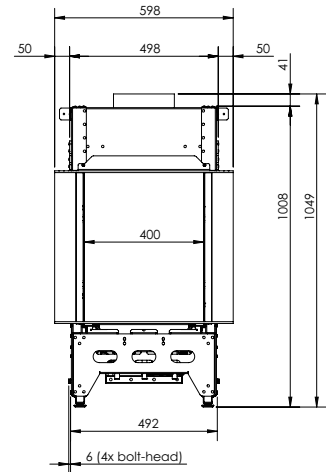
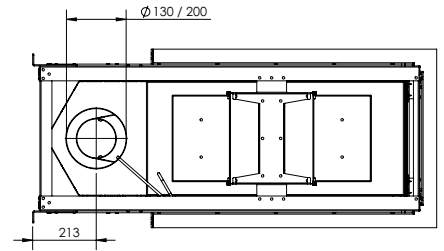


MatriX | 1050/500 RD



ENERG
енергия · ενεργεια

Faber Matrix 1050/500 RD/ST H

A++
A+
A
B
C
D
E
F
G

B

10,7 kW

ENERGIA · ЕНЕРГИЯ · ΕΝΕΡΓΕΙΑ · ENERGIA · ENERGY · ENERGIE · ENERGI

2015/1186

Specifications MatriX 1050/500 RD

Type	Built-in
Model	Room divider
Exterior dimensions WxHxD in mm	1604 x1049 x 598
Fire display WxHxD in mm	1100 x 500 x 400
System	Log Burner. 3.0
Decoration	Log set
Back walls	Smooth steel
Remote	ITC remote
Power (kW)	10,7 kW
Operating system	Honeywell
Energy label	B

OPTIONS

- Glass back wall black
- Anti-reflective glass
- Hybrid Pro Light (HPL) Module
- Wall bracket
- Adjustable legs
- ITC control

For more information, please take a look at the website

www.faberfires.com

There is **so much to tell...**